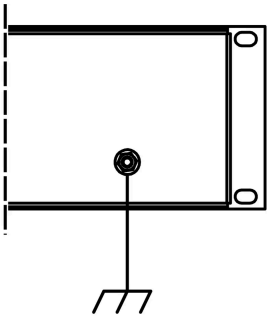


Installation manual

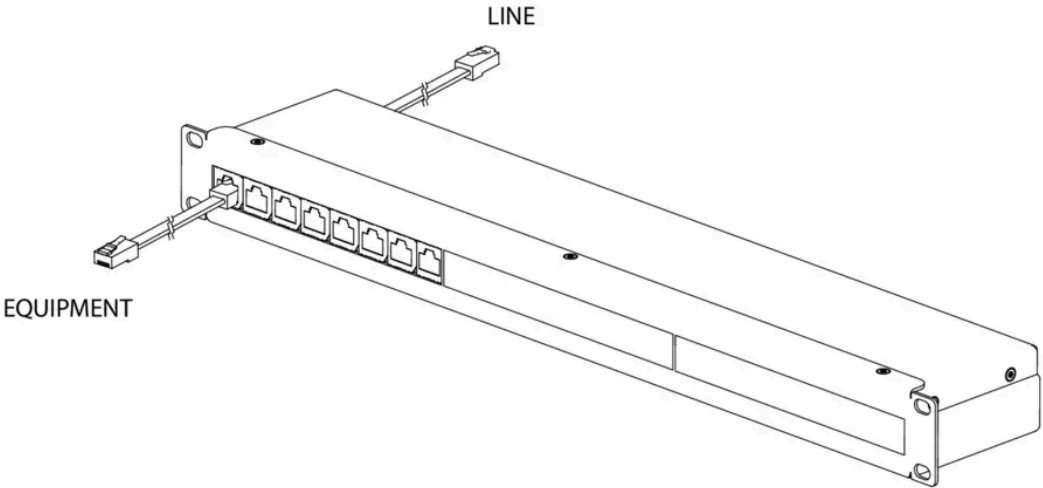
# RJ45-8CAT6-1RU



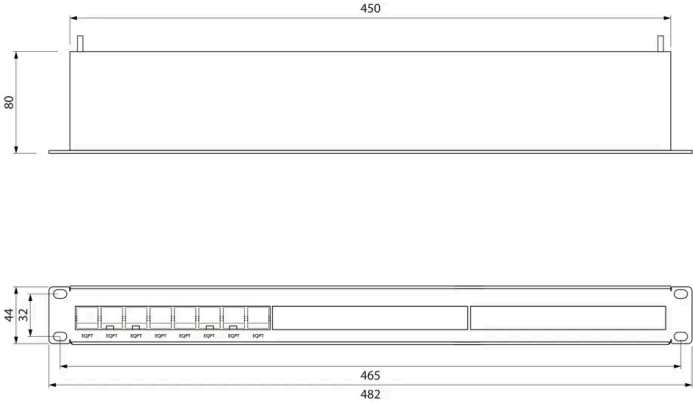
## Earthing



## Installation



## Dimensions



## Electrical Specifications

Connection type		Series
Maximum continuous voltage (DC)	$U_c$	6V
Maximum discharge current (8/20 $\mu$ s) (L-L)	$I_{max}$	5kA
Maximum common mode discharge current (8/20 $\mu$ s) (CM)	$I_{max}$	10kA

## Mechanical Specifications

Minimum operating temperature		-40°C
Maximum operating temperature		70°C
Minimum operating humidity		5%
Maximum operating humidity		95%
Mounting method		Rack mount

V1 - Approved - 2026/06/24