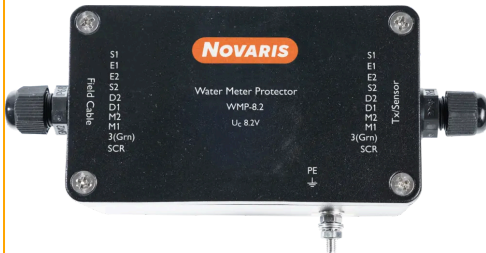
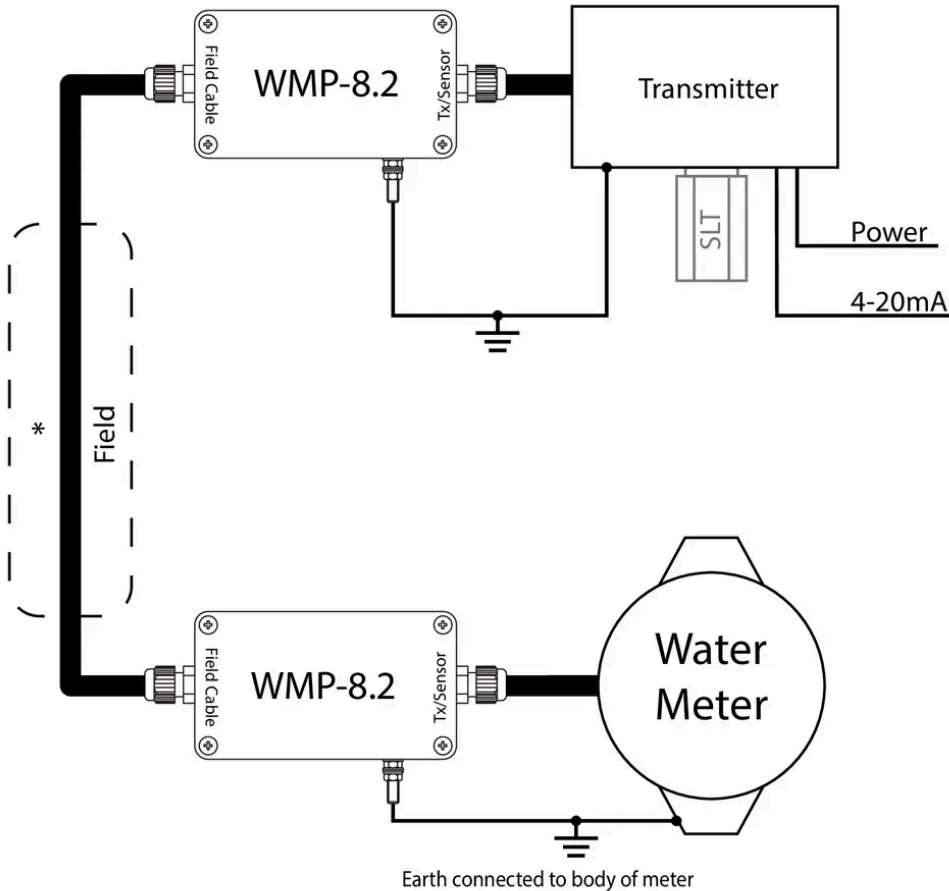


# WMP-8.2



## Install



\* If the interconnecting field cable is <5M in length then the WMP-8.2 shown at the water meter end of the cable may not be required

## Specifications

### Electrical Specifications

Connection type Series

### Mechanical Specifications

Minimum operating temperature		-40°C
Maximum operating temperature		70°C
Minimum operating humidity		5%
Maximum operating humidity		95%
Mounting method		Freestanding
Environmental rating		IP65