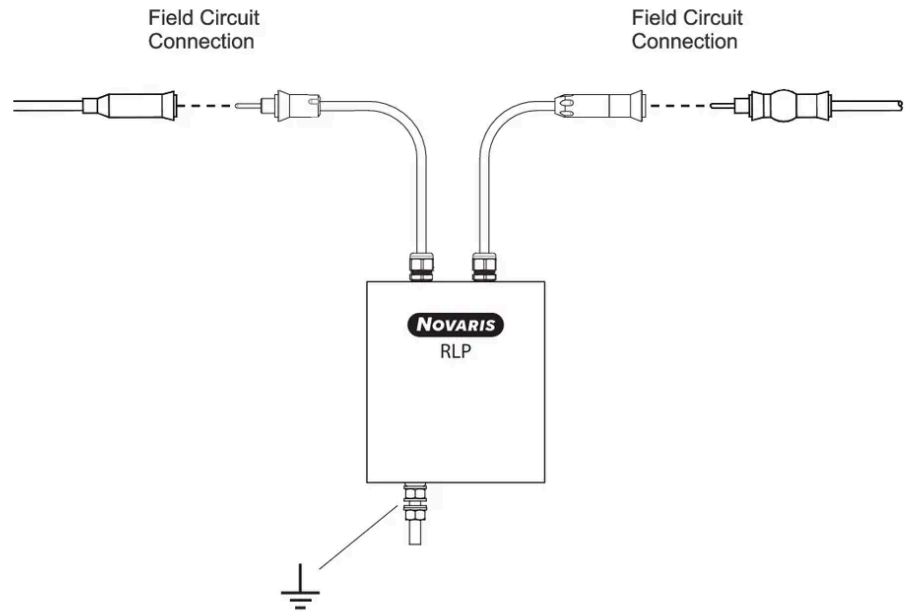


Install manual

RLP-50-450



Install



Specifications

Electrical Specifications

Connection type		Series
Maximum continuous voltage (AC)	U_c	450V
Earthing		6mm 316SS Bolt

Mechanical Specifications

Minimum operating temperature		-40°C
Maximum operating temperature		70°C
Minimum operating humidity		5%
Maximum operating humidity		95%
Mounting method		Free standing
Environmental rating		IP67

V1 - Approved - 2026/01/20