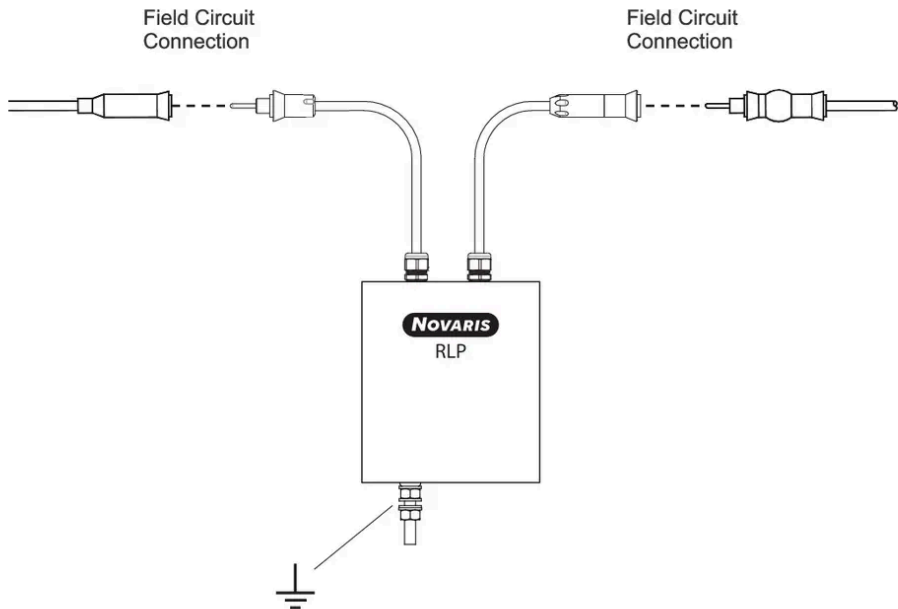


Install manual

# RLP-50-260



## Install



## Specifications

Electrical Specifications		
Connection type		Series
Maximum continuous voltage (AC)	$U_c$	260V
Earthing		6mm 316SS Bolt

Mechanical Specifications		
Minimum operating temperature		-40°C
Maximum operating temperature		70°C
Minimum operating humidity		5%
Maximum operating humidity		95%
Mounting method		Free standing
Environmental rating		IP67

V1 - Approved - 2026/01/20