

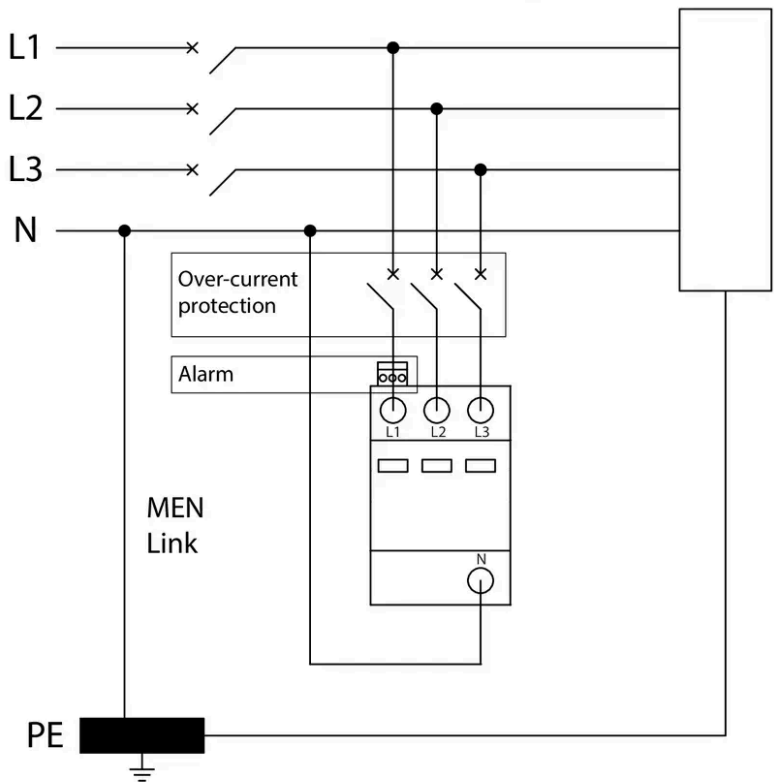
Install Manual

NSP3-100-275

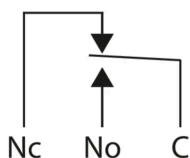


Installation

Main Switchboard (MSB)

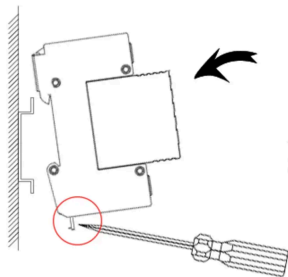


Alarm

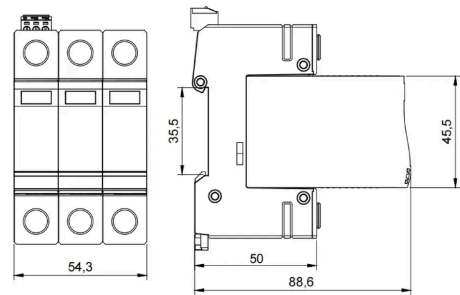


- No- C open ✓
- Nc- C closed ✓
- No- C closed ✗
- Nc- C open ✗

Mounting



Dimensions



Electrical Specifications

Connection type		Shunt
Location		Indoor
Nominal voltage	U_0	230VAC
Recommended SCB		SCB1-3-80
Earth leakage current	I_{PE}	<10 μ A

Mechanical Specifications

Minimum operating temperature		-40°C
Maximum operating temperature		70°C
Minimum operating humidity		5%
Maximum operating humidity		95%
Mounting method		TS35 DIN Rail
Environmental rating		IP20
Terminal capacity - power		35mm ²
Terminal capacity - alarms		1.5mm ²