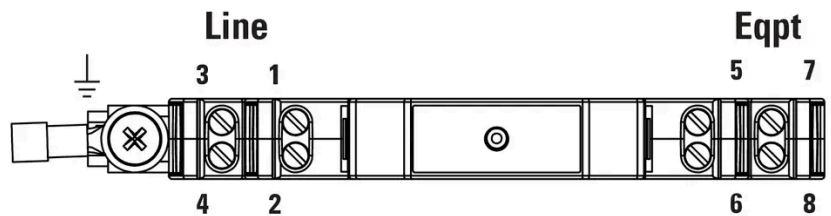
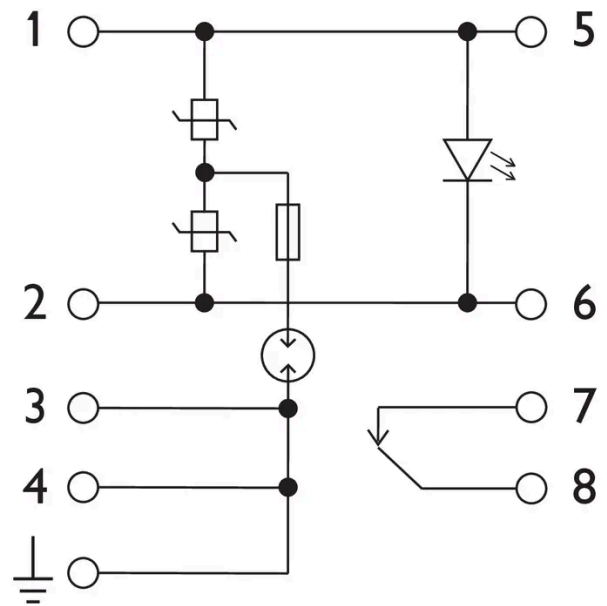


Install manual

IS-SSP10A-38



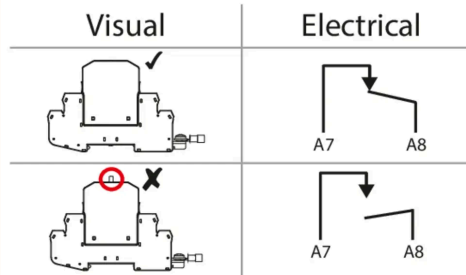
Install



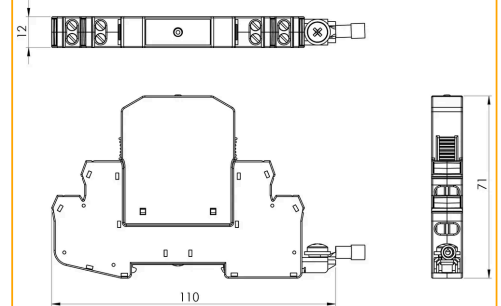
Terminal Information

Terminal Type	
min Capacity	0.5 mm ²
max Capacity	2.5 mm ²
Torque	0.6 Nm
Strip Length	6mm

Alarm Information



Dimension Information



Mounting

