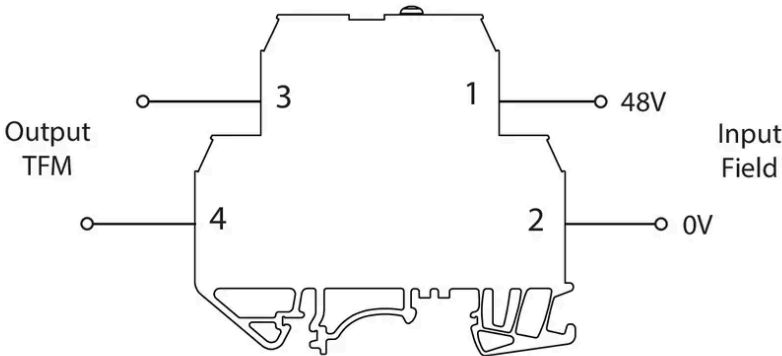


DK1-48



Install



Specifications

Electrical Specifications

Maximum continuous voltage (DC)	U_c	60V
---------------------------------	-------	-----

Mechanical Specifications

Circuit earthed		yes
Minimum operating temperature	⌄	-25°C
Maximum operating temperature	⌆	70°C
Mounting method	🔧	Universal TS32 and TS35 rail
Environmental rating	🌀	IP20
Terminals		Steel screw cage clamp with slotted head