

CEIA-078

Tuned Stub Protectors

The Novaris CEIA range is specifically designed for high power Co-Axial surge protection applications including MF, HF and VHF transmitters to 50kW. The CEIA is available to suit all EIA connectors 7/8" to 6 1/8".

Adjustable Spark Gap

The spark gap electrode is externally adjustable to suit a range of transmitter powers from 1 to 50kW and is removable to allow cleaning and routine maintenance. The heavy duty electrode offers a long service life even in severe conditions.

Enclosure

The CEIA is manufactured from 50 ohm rigid line with integral EIA connector flanges. Two connector bullets are supplied with each CEIA. The body is nickel plated.

Optional arc sensor

The CEIA range is also available with an optional arc sensor which is used via control electronics to momentarily interrupt the transmitter output to ensure any arc is extinguished and the transmitter is not damaged.

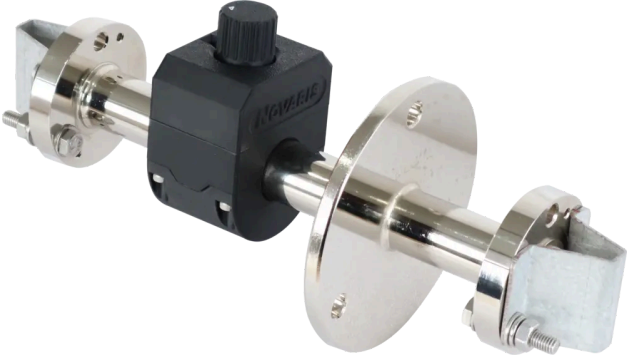
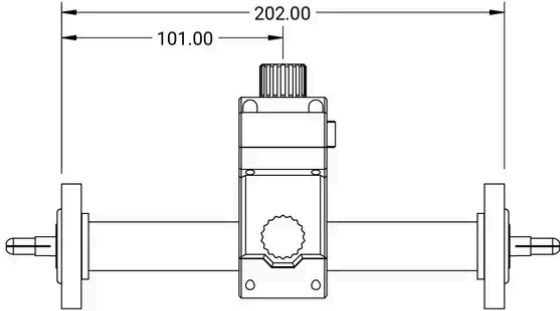
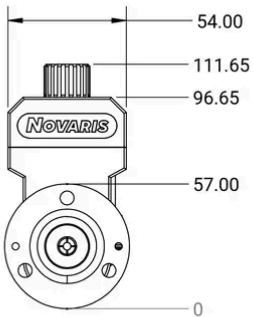


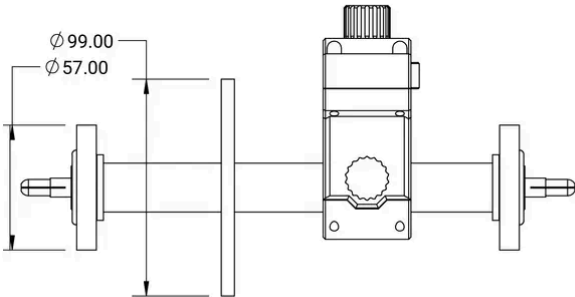
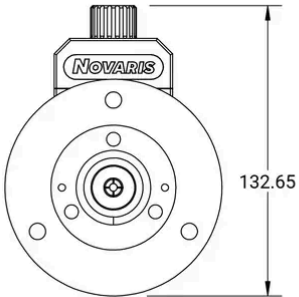
Image for illustrative purposes only

Dimensions

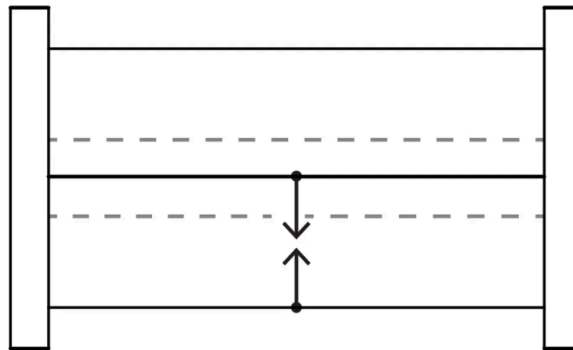
CEIA-078



CEIA-078 + MF-1



Wiring



Electrical Specifications

Connection type		Series
Modes of protection		Signal-Earth
Sparkover voltage (1.5mm spark gap)		1.5kV, adjustable up to 8kV
Maximum discharge current (8/20 μ s)	I_{max}	100kA
Power rating		> 50 kW (limited by coax cable)
Overstressed fault mode		Mode 3
Characteristic impedance		50 Ω
Return loss (1.5mm spark gap)		>20dB @ 1GHz
Insertion loss (1.5mm spark gap)		<0.2dB @ 1GHz
VSWR		<1.1:1

Other Specifications

Product Code		CEIA-078
Mounting option		Bulkhead Mounting Flange (MF-1)

Mechanical Specifications

Connection type		7/8" EIA
Minimum operating temperature		-40°C
Maximum operating temperature		85°C
Minimum operating humidity		5%
Maximum operating humidity		95%
Mounting method		In-line / flange mounting
Environmental rating		IP55
Enclosure material		Brass and copper
Enclosure finish		Nickel Plated

Standard Specifications

IEC 61643-21	SPD connected to telecommunications and signalling networks - Cat C2, D1
AS 1768	Signalling/Telecommunications surge protection

Shipping Specifications

Weight		2kg
Customs tariff		85363000, 85363010