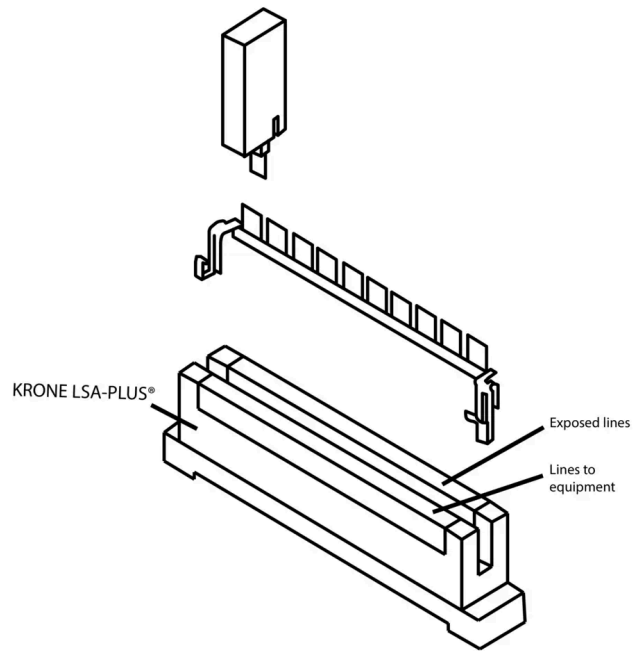


Installation Manual

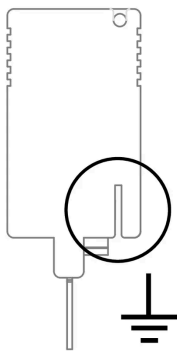
KP1-12-DC



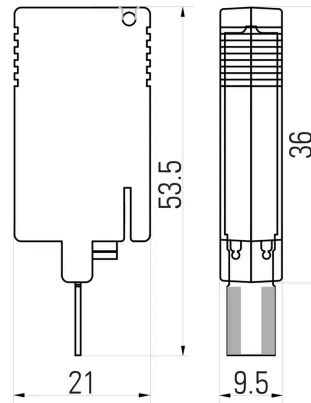
Installation



Earthing



Dimensions



Electrical Specifications

Modes of protection	I^2	Transverse and Common
Maximum load current	I_L	250mA

Mechanical Specifications

Minimum operating temperature	I^2	-40°C
Maximum operating temperature	I^2	70°C
Minimum operating humidity	I^2	5%
Maximum operating humidity	I^2	95%
Mounting method	I^2	Krone LSA-Plus
Environmental rating	I^2	IP20